

CHAPTER 5 GENERATOR PARTS DIAGRAMS AND LISTINGS

Figure 5-1. Overall view of engine generator assembly

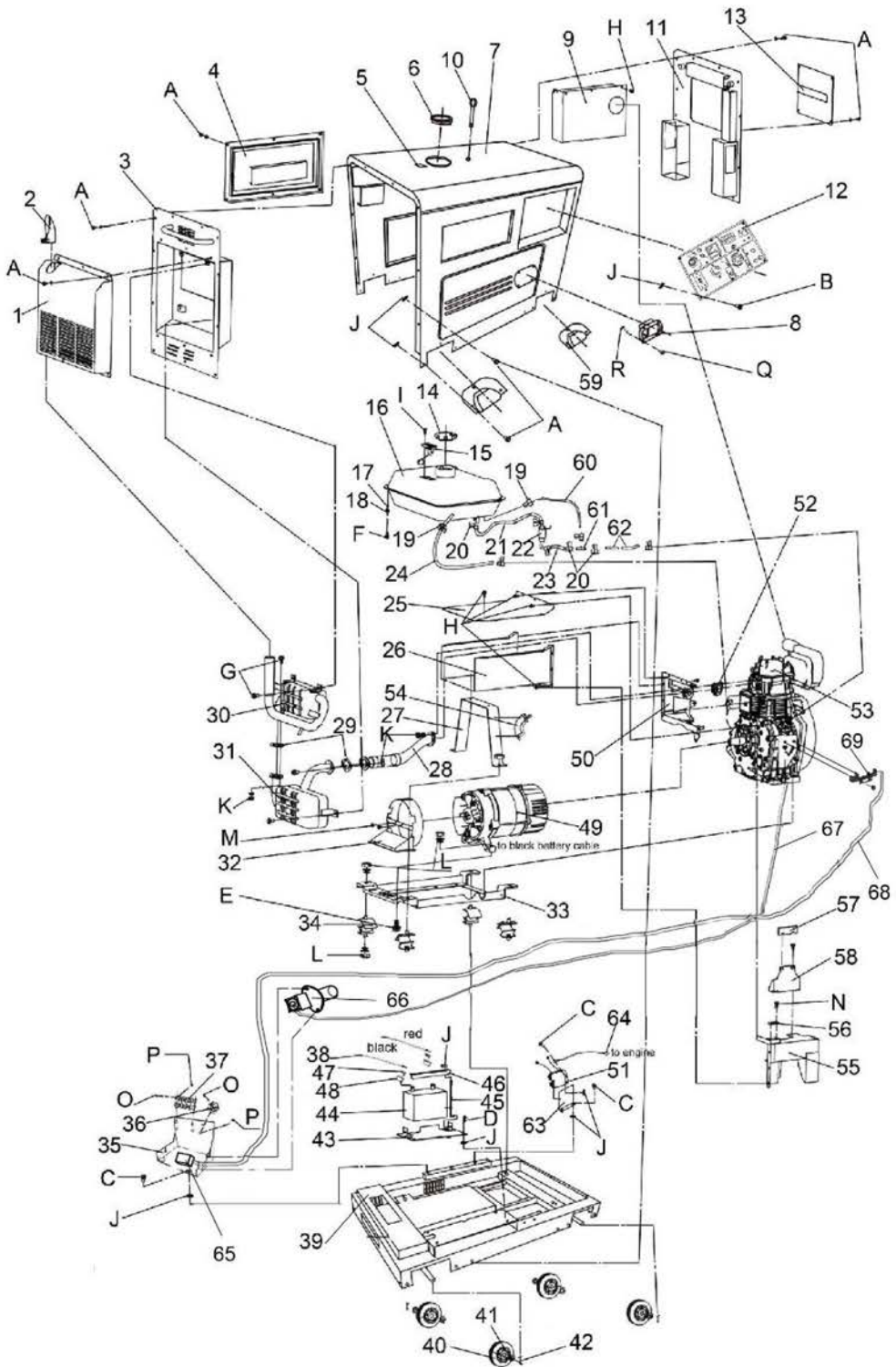


Figure 5-2. *Electric panel parts drawing*

